

# 388-376 SUMMIT® PRO



Round Front, SmartHeight™, Vitreous China, Two-Piece Toilet

## FEATURES

- High performance MagnaFlush™ flushing technology
- 1.6 gpf / 6.0 lpf low water consumption
- Round front, SmartHeight™ bowl
- SmartFasten™ 3-bolt tank-to-bowl connection
- PuraClean® easy-to-clean glaze
- 3" Rigid Flapper flush valve – requires less force to flush, is more consistent and uses a simple universal repair part/seal
- Fluidmaster® pilot operated anti-siphon fill valve
- 12" rough-in
- Model 59 color match, metal trip lever
- 2" glazed trapway
- The Mansfield® limited lifetime warranty on china, Five-year limited warranty on tank trim
- Available in White



**MODEL 388-376**

Toilet seat not included





ROUND



SMARTHEIGHT ADA

## COMPONENTS

MODEL #	DESCRIPTION	CODES/STANDARDS
<b>388-376</b>	Round front, SmartHeight™, two-piece toilet. Less toilet seat and supply.	 
<b>388</b>	Round front, SmartHeight™ toilet bowl only. Less supply.	
<b>376</b>	Tank and cover only, with left hand, front-mount, color match, metal trip lever. Less supply.	

TANK TRIM & REPLACEMENT PARTS	
<b>59</b>	Trip lever - color match, metal trip lever, left hand
<b>2037-1212</b>	Summit® 1.6 rigid flapper flush valve
<b>400A</b>	Fluidmaster® anti-siphon pilot fill valve
<b>2206</b>	Anti-siphon pilot fill valve (compatible replacement)
<b>630-0030</b>	Replacement flush valve seal
<b>386-LID</b>	Tank lid

When properly installed, this product meets the requirements for the Americans with Disabilities Act of 1990 (ADA). Refer to local plumbing codes, as they may vary by location and application.





# 388-376 SUMMIT<sup>®</sup> PRO



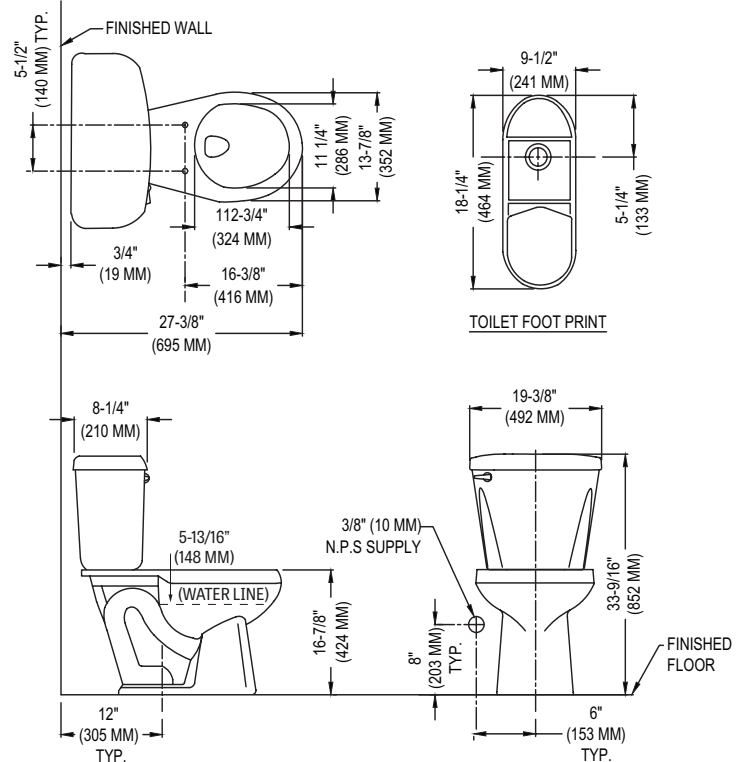
Round Front, SmartHeight™, Vitreous China, Two-Piece Toilet

## SPECIFICATIONS

MODEL #	DESCRIPTION	CODES/STANDARDS
388-376	Round front, SmartHeight™ (1.6 gpf/6.0 lpf) two-piece toilet	 

<b>MATERIAL</b>	Vitreous China	<b>TRAP DIAMETER</b>	2'
<b>WATER PRESSURE RANGE</b>	20 to 80 PSI	<b>TRAP SEAL</b>	2-1/4'
<b>FLUSH SYSTEM</b>	MagnaFlush™ flushing technology	<b>SHIPPING WEIGHT</b>	Model 388 - 52 lbs. (23.5 kg) Model 376 - 36 lbs. (16.3 kg)
<b>WATER USAGE</b>	1.6 gpf / 6.0 lpf	<b>WARRANTY</b>	Vitreous China - Limited Lifetime Tank Trim - Limited Five Year
<b>WATER SURFACE AREA</b>	8' X 9'		
<b>ROUGH-IN</b>	12'		
<b>MAP RATING</b>	1,000 grams		

TANK OPTIONS		TECHNICAL INFORMATION
376RH	Variation of model 376, with right hand trip lever.	<b>Note:</b> these dimensions are nominal and subject to change without notice.



Fixture performance and specifications meet or exceed ASME A112.19.2-2013/CSA B45.1-13 standards, and other state and local codes.

